

SINGER
175-31,-35,-37,-39,-48

Form 19546

(840)

Printed in U. S. A.

LIST OF PARTS



MACHINES
Nos. 175-31, 175-35, 175-37,
175-39 and 175-48

*** A TRADE MARK OF

THE SINGER MANUFACTURING COMPANY

INSTRUCTIONS FOR OILING

To ensure easy running and prevent unnecessary wear of the parts which are in movable contact, the machine requires oiling and when in continuous use, "TYPE B" or "TYPE D" OIL, sold only by Singer Sewing Machine Company, should be applied at least twice each day to all oil holes marked "OIL", as instructed in Form 18958.

"TYPE D" OIL is stainless.

INDEX

	Page
Accessories.....	26
Belt and Pulley Guard.....	26
Button Clamp No. 175752 (For No. 175-31 Machine).....	27
Button Clamp No. 175738 (For Nos. 175-31, 175-35 and 175-39 Machines).....	28
Button Clamp No. 175761 (For No. 175-48 Machine).....	29
Button Clamp No. 175619 (For No. 175-37 Machine).....	29
Button Clamp No. 175654 (For 80 to 120 Ligne Buttons).....	30
Feed Plates.....	31
Machine Base.....	33
Machine No. 175-31.....	5
Machine No. 175-35.....	16
Machine No. 175-37.....	18
Machine No. 175-39.....	21
Machine No. 175-48.....	23
Numerical List of Parts.....	35
Starting Lever and Foot Lifter Parts.....	33
Table Belt Guide.....	34
Thread Unwinder.....	34

From the library of: Diamond Needle Corp.

INSTRUCTIONS FOR ORDERING

In ordering from this list, use ONLY the part NUMBER in the FIRST column.

The number stamped on a Sewing Machine Part is in every case the number of the single part only.

Every combination of parts sent out as such has its specific number, which, although not stamped on the parts, must be used when ordering the combination.

Each number always indicates the SAME PART in whatever list it appears, or for whatever machine.

The letters after some of the numbers indicate the style of finish only, as follows:

- A-Hardened, Polished, Nickel Plated and Buffed
- A.A-Buffed and Chromium Plated
- A.B-Hardened, Polished, Buffed and Chromium Plated
- A.C-Brown Baking Enamel Finish
- A.D-Gray Baking Enamel Finish
- A.E-Hardened, Bright Rumbled and Nickel Plated
- A.F-Hardened, Bright Rumbled, Nickel Plated, Bright Rumbled and Chromium Plated
- B-Polished, Nickel Plated and Buffed
- C-Hardened Only
- C.R-Hardened and Merlized
- D-Polished Only
- E-Soft, Not Polished
- F-Hardened and Polished
- F.J-Hardened, Polished and Nickel Plated
- G-Bright Rumbled and Nickel Plated
- H-Blued
- J-Nickel Plated Only
- K-Hardened and Nickel Plated
- L-Brass Plated
- M-Oxidized
- N-Japanned, Dull
- P-Japanned, Bright
- P.P-Wrinkle Finish
- R-Merlized
- S-Cadmium Plated
- T-Copper Plated
- T.A-Hardened, Polished, Copper and Nickel Plated and Buffed
- T.B-Copper and Nickel Plated and Polished
- T.J-Copper and Nickel Plated Only
- T.K-Hardened, Copper and Nickel Plated
- T.L-Copper and Brass Plated
- T.M-Copper Plated and Oxidized
- U-Zinc Plated
- V-Silver Plated
- W-Polished and Nickel Plated
- X-Black Oxide, for Iron and Steel
- X.C-Hardened and Black Oxide, for Iron or Steel
- Y-Black Nickel Plated Only
- Z-Chromium Plated
- Z.A-Hardened, Polished, Nickel Plated, Buffed and Chromium Plated
- Z.B-Polished, Nickel Plated, Buffed and Chromium Plated
- Z.C-Hardened and Chromium Plated
- Z.D-Polished and Chromium Plated
- Z.G-Bright Rumbled, Nickel Plated, Bright Rumbled and Chromium Plated
- Z.J-Nickel and Chromium Plated
- Z.T-Copper and Chromium Plated

These letters MUST BE USED when they appear in the list; and AFTER the number as in the list.

In this series:

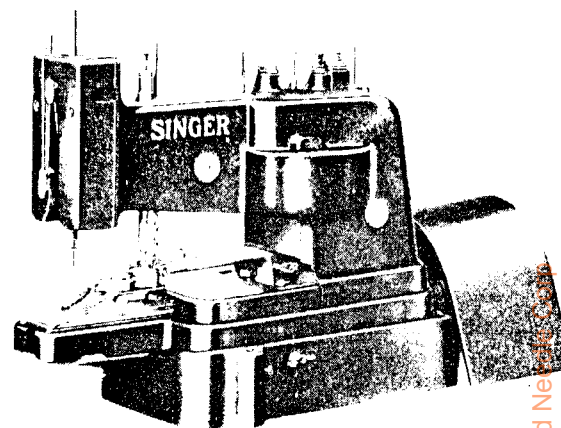
- 1 to 1500, 50001 to 51500 and 140001 to 142000 are Screw Numbers
- 1501 to 1800 and 51501 to 51800 are Nut Numbers
- 1801 to 2000 and 51801 to 52000 are Roller Numbers
- 2001 to 50000 and 52001 to 140000 and 142001 to 190000 are Sewing Machine Parts, 190001 and upward are numbers of Electrical Parts.

The figures in the second column refer only to the plates, illustrating the parts, and are NOT TO BE USED in ordering.

Parts marked with an asterisk (*) are furnished only when repairs are made at factory.

LIST OF PARTS COMPLETE

FOR



MACHINE No. 175-31

For Sewing Buttons on Shirts, Waists, Underwear, Infant's Wear and All Light and Wash Goods Fabrics. For two and four hole buttons. In four hole buttons makes two parallel bars with one diagonal cross-over stitch; in two hole buttons makes the dubbilstay stitch, spreading the stitches in the fabric same as in a four hole button. Makes twelve stitches, including cross-over and knotting stitches. Clamp moves up the bed only when sewing four hole buttons. Speed 1000 R. P. M.

No.	Plate	Name
*175001	-----	Arm with 15404 and two 15405.....
8589	22866	" Dowel Pin.....
175004	22867	" Rock Shaft with 175007.....
175005	22867	" " " Crank (back) with 1177E, 1521J and 140016E.....
1177E	22867	Arm Rock Shaft Crank (back) Clamping Screw.....
140016E	22867	Arm Rock Shaft Crank (back) Position Screw.....
1521J	22867	Arm Rock Shaft Crank (back) Position Screw Lock Nut.....
175007	22867	Arm Rock Shaft Crank (front) Pin.....

From the library of: Diamond Net

No.	Plate	Name
458C	22867	Button Clamp Presser Bar Collar Set Screw.....
175054	22867	Button Clamp Presser Bar Screw Bearing..
175055	22867	" " " " Spring.....
140023W	22867	" " Pressure Regulating Thumb Screw.....
1722J	22867	Button Clamp Pressure Regulating Thumb Screw Lock Nut.....
175056	22864	Button Clamp Spreader and Button Stop...
175734	-----	" " " " " "
		175056 with 175058 and two 1472J....
175057	22864	Button Clamp Spreader and Button Stop Base with two 1490C.....
140024C	22864	Button Clamp Spreader and Button Stop Base Screw.....
175032	22864	Button Clamp Spreader and Button Stop Base Screw Washer.....
140265W	22864	Button Clamp Spreader and Button Stop Screw.....
51688J	22864	Button Clamp Spreader and Button Stop Screw Nut.....
175058	22864	Button Clamp Spreader Handle.....
1472J	22864	" " " " Screw.....
175059	-----	Button Clamp complete, for 175611, Nos. 51688J, 140265W, 175022, 175028, 175040, 175057, 175734 and two 140020C
175611	22864	Button Clamp 175059 with 680W, 175031, 175033, two 140024C and three 175032, for 20 to 45 ligne buttons.....
175771	22865	Face Plate with 624C.....
175772	22865	" " 175771 with 185J, 175062, 175063, 175065, 175066, 175774, 175776 and 202098.....
120J	22865	Face Plate Screw.....
175062	22865	" " Thread Guide (lower) Plate...
185J	22865	" " " " " "
		Screw.....
175063	22865	Face Plate Thread Guide (lower) Plate Screw Spacing Collar.....
202098	22865	Face Plate Thread Guide (lower) Roller..
175065	22865	" " " " " " Pin
175066	22865	" " " " (upper).....
175773	22865	" " " Retainer Sleeve.....
175774	22865	" " " " Spring.....
175775	22865	" " " " Stud.....
175776	-----	" " " " " 175775 with 175773.....
624C	22865	Face Plate Thread Retainer Stud Set Screw.....
175067	22867	Feed Cam.....

No.	Plate	Name
175068	22866	Feed Cam Driving Worm.....
175069	22866	" " " " Pin.....
175070	22867	" " " " Wheel with 175229 and two 140026C.....
140026C	22867	Feed Cam Driving Worm Wheel Set Screw...
175071	22867	" " " " " Shaft.....
175600	-----	" " " " " " 175071 with 175118 and 175119.....
127J	22867	Feed Cam Screw.....
175032	22867	" " " Washer.....
175072	22864	" Plate for 175611.....
175073	22863	" " Carrier.....
175074	22863	" " " Driving Arm with 458C and 51923.....
175796	22863	Feed Plate Carrier Driving Arm Pin....
51923	22863	" " " " " Roller and Screw Stud.....
458C	22863	Feed Plate Carrier Driving Arm Set Screw
175075	22863	" " " Guide Block (left)...
190J	22863	" " " " " " Screw
175076	22863	" " " " " " (right).. Screw.....
190J	22863	" " " " " " " "
51667C	22863	Feed Plate Carrier Regulating Nut with 175549.....
175548	22863	Feed Plate Carrier Regulating Nut Screw Stud.....
175078	22863	Feed Plate Carrier Regulating Nut Screw Stud Slide Block.....
175079	22863	Feed Plate Carrier Regulating Nut Screw Stud Washer.....
175549	22863	Feed Plate Carrier Regulating Nut Tight- ening Handle.....
175081	22863	Feed Plate Carrier Regulator with 228J..
175627	-----	" " " " " 175081 with 175074 and 175796 (for agents only).
175083	22863	Feed Plate Carrier Regulator Spring....
160J	22863	" " " " " " Screw (bed end).....
228J	22863	Feed Plate Carrier Regulator Spring Screw (regulator end).....
227J	22864	Feed Plate Screw.....
175085	22866	Looper.....
175086	22866	" Driving Shaft.....
175087	22866	" " " Bushing.....
175594	-----	" " " " " 175087 with 175086, 175091 and 175092.....
51183E	22866	Looper Driving Shaft Bushing Clamping Screw.....
175525	22866	Looper Driving Shaft Crank with 435C and 1285C.....

No.	Plate	Name
175089	22866	Looper Driving Shaft Crank Connecting Link.....
175660	-----	Looper Driving Shaft Crank Connecting Link 175089 with 175525 and 175529..
1285C	22866	Looper Driving Shaft Crank Position Screw.....
435C	22866	Looper Driving Shaft Crank Set Screw....
175091	22866	" " " " Gear.....
175092	22866	" " " " Pin.....
458C	22866	" Set Screw.....
175093	22866	" Shaft with 458C.....
175529	22866	" " Crank with two 140027C.....
140027C	22866	" " " Set Screw.....
175096	22866	Machine Rest Stud.....
458C	22866	" " " Set Screw.....
204383	22865	Needle Bar (hollow) with 200125F,200175D and 204250.....
175098	22865	Needle Bar Connecting Link.....
140028C	22865	" " " " Hinge Screw..
1722J	22865	" " " " " Nut
175810	22865	" " " " " Stud with 160E.....
175811	-----	Needle Bar Connecting Link Hinge Stud 175810 with 1492J, 175100 and 175101
160E	22865	Needle Bar Connecting Link Hinge Stud Clamping Screw.....
175100	22865	Needle Bar Connecting Link Hinge Stud Thread Guide Plate.....
1492J	22865	Needle Bar Connecting Link Hinge Stud Thread Guide Plate Screw.....
175101	22865	Needle Bar Connecting Link Hinge Stud Thread Guide Roller.....
175102	22865	Needle Bar Connecting Stud (lower).....
1681J	22865	" " " " " Nut..
51652J	22865	" " " " " Lock Nut.....
175103	22865	Needle Bar Connecting Stud (lower) Washer.....
175104	22865	Needle Bar Connecting Stud (upper).....
1681J	22865	" " " " " Nut..
51652J	22865	" " " " " Lock Nut.....
175103	22865	Needle Bar Connecting Stud (upper) Washer.....
175105	22866	Needle Bar Eccentric with 140027C.....
175106	22867	" " " Connecting Rod with 1521J,140024E,175535 and two 140029E
140029E	22867	Needle Bar Eccentric Connecting Rod Cap Screw.....
140024E	22867	Needle Bar Eccentric Connecting Rod Clamping Screw.....

No.	Plate	Name
1521J	22867	Needle Bar Eccentric Connecting Rod Clamping Screw Nut.....
140031C	22867	Needle Bar Eccentric Connecting Rod Hinge Screw.....
51653E	22867	Needle Bar Eccentric Connecting Rod Hinge Screw Nut.....
175535	22867	Needle Bar Eccentric Connecting Rod 011 Pad (felt).....
175108	22866	Needle Bar Eccentric Pawl with 175114...
175109	-----	Needle Bar Eccentric Pawl complete, Nos. 175108, 175110 and 175112.....
175110	22866	Needle Bar Eccentric Pawl Bracket with 175111.....
134E	22866	Needle Bar Eccentric Pawl Bracket Screw.
175111	22866	" " " " " Steady Pin.....
175112	22866	Needle Bar Eccentric Pawl Hinge Pin....
175113	22866	" " " " " Spring.....
175114	22866	" " " " " Stud...
175119	22866	" " " " Pin.....
140027C	22866	" " " Set Screw.....
204250	22865	" " Thread Guide.....
200175D	22865	" " " " Screw.....
175118	22867	" " Vibrating Cam with 175125....
175119	22867	" " " " Pin.....
175120	22867	" " " Lever.....
175756	22867	" " " Adjusting Bracket with 458C and 1341C.....
175759	-----	Needle Bar Vibrating Lever Adjusting Bracket 175756 with 175123 and 175770.....
175757	22867	Needle Bar Vibrating Lever Adjusting Bracket Hinge Stud.....
175770	-----	Needle Bar Vibrating Lever Adjusting Bracket Hinge Stud 175757 with 175758.....
1341C	22867	Needle Bar Vibrating Lever Adjusting Bracket Hinge Screw Set Screw.....
175758	22867	Needle Bar Vibrating Lever Adjusting Bracket Hinge Stud Slide.....
51654C	22867	Needle Bar Vibrating Lever Adjusting Bracket Lock Nut.....
175123	22867	Needle Bar Vibrating Lever Adjusting Bracket Lock Nut Screw Stud.....
458C	22867	Needle Bar Vibrating Lever Adjusting Bracket Lock Nut Screw Stud Set Screw.....
175125	22867	Needle Bar Vibrating Lever Adjusting Bracket Lock Nut Washer.....
175126	22867	Needle Bar Vibrating Lever Arm with 51923.....

From the library of Leland Stanford Junior University

No.	Plate	Name
140033C	22867	Needle Bar Vibrating Lever Arm Hinge Screw.....
51923	22867	Needle Bar Vibrating Lever Arm Roller and Screw Stud.....
140024E	22867	Needle Bar Vibrating Lever Arm Screw....
175032	22867	" " " " " " Washer.....
140034C	22867	Needle Bar Vibrating Lever Hinge Screw..
140035C	22867	" " " " " " Lock Screw.....
175127	22867	Needle Bar Vibrating Lever Hinge Screw Slide.....
175591	22866	Needle Guide with 175547 and two 218D...
175546	-----	" " 175591 with 175131 and 175136
175130	22866	" " Cam with two 1259C.....
1259C	22866	" " Set Screw.....
175132	22866	" " Oscillating Crank with 140159E and 175134.....
140159E	22866	Needle Guide Oscillating Crank Clamping Screw.....
175016	22866	Needle Guide Oscillating Crank Spring...
175134	22866	" " " " " Hook (crank end).....
175135	22866	Needle Guide Oscillating Crank Spring Hook (bed end).....
175131	22866	Needle Guide Pin.....
175136	22866	" " Shaft.....
175094	22866	" " " Bushing.....
458C	22866	" " " " Set Screw....
175547	22866	" " Thread Finger.....
218D	22866	" " " " Screw.....
175138	22865	" Plate.....
140019F	22865	" " Screw.....
200125F	22865	" Set Screw.....
175140	22866	Pulley, 2 3/4 in. diam., with 51655J, 140037C and 175820.....
Note: No. 175140 Pulley is regularly furnished with the Machine.		
175634	-----	Pulley, 3 1/4 in. diam., with 51655J, 140037C and 175820.....
175636	-----	Pulley, 3 3/4 in. diam., with 51655J, 140037C and 175820.....
140037C	22866	Pulley Engaging Screw.....
51655J	22866	" " " Nut.....
175820	22866	" Oil Wick.....
175142	22866	" Shaft.....
175596	-----	" " 175142 with 175068, 175069, 175105, 175143, 175144, 175150 and two 175119.....
175143	22866	Pulley Shaft Gear.....

No.	Plate	Name
175144	22866	Pulley Shaft Gear Pin.....
175145	22866	" Shifter.....
175146	22866	" " Holder with 51649J and 140078C.....
140076C	22866	Pulley Shifter Holder Set Screw.....
51649J	22866	" " " " " Lock Nut
1178E	22866	" " Screw.....
175148	22866	Starting Crank with 1747J and 140039E...
175630	-----	" " 175148 with 175149 and 175155.....
140039E	22866	Starting Crank Adjusting Screw.....
1747J	22866	" " " " Nut.....
175149	22866	" " Pin.....
175150	22866	Stop Dog.....
175151	22866	" " Cushion Spring.....
175152	22866	" " " " Holder with 50581C, 175151 and two 140040C.....
50581C	22866	Stop Dog Cushion Spring Holder Set Screw
140040C	22866	" " " " Set Screw.....
175119	22866	" " Pin.....
175153	22866	" Motion Retaining Collar.....
160J	22866	" " " " Screw.....
175154	22866	" " " " Stud.
882C	22866	" " " " " " Set Screw.....
175155	22866	Stop Motion Shaft.....
175156	22866	" " " Spring.....
175157	22866	" " " " Collar with 140041C.....
140041C	22866	Stop Motion Shaft Spring Collar Set Screw.....
175158	22866	Stop Motion Trip.....
175159	22866	" " " Block with 882C and 175154.....
140042C	22866	Stop Motion Trip Block Hinge Screw.....
51649E	22866	" " " " " " Nut..
175113	22866	" " " " Spring.....
175229	22867	" " " Point.....
160J	22866	" " " Screw.....
175032	22866	" " " Washer.....
175160	22868	Tension (automatic) Disc.....
175161	22868	" " " Position Pin...
1560C	22868	" " Regulating Thumb Nut
175162	22866	" " Releasing Cam with two 140027C.....
140027C	22866	Tension (automatic) Releasing Cam Set Screw.....
175522	22868	Tension (automatic) Releasing Disc.....
175163	22868	" " " Rod.....
1521J	22868	" " " " Adjusting Nut.....

Copyright © 2010 by Diamond Needle Corp.

No.	Plate	Name
152LJ	22868	Tension (automatic) Releasing Rod Adjusting Nut Lock Nut.....
175164	22868	Tension (automatic) Releasing Rod Spring
175165	22868	" " " " Wear- ing Sleeve.....
140043C	22868	Tension (automatic) Screw Stud.....
175166	-----	" " " " 140043C with 1560C.....
125314	22868	Tension (automatic) Spring.....
175167	22868	" " Thread Eyelet.....
175168	-----	Tension (automatic) complete, Nos. 125314, 175166, 175522 and two 175160.
175160	22868	Tension (stationary) Disc.....
175161	22868	" " " Position Pin..
1560C	22868	" " Regulating Thumb Nut
140044C	22868	" " Screw Stud.....
175169	-----	" " " " 140044C with 1560C.....
13710	22868	Tension (stationary) Spring.....
175170	-----	Tension (stationary) complete, Nos. 13710, 175169 and two 175160.....
175171	22868	Thread Eyelet (back).....
175172	22868	" " (front).....
175173	22868	" Nipper Head.....
175174	22868	" " Plate.....
160J	22868	" " " Screw.....
175175	22868	" " " Washer.....
140045K	22868	" " Releasing Head Screw.....
175176	22868	" " " Lever.....
140046C	22868	" " " Hinge Screw
175177	22868	" " " Rod.....
175178	-----	" " " " 175177 with 175173.....
175179	22868	Thread Nipper Releasing Rod Spring (lower).....
175180	22868	Thread Nipper Releasing Rod Spring (lower) Washer.....
175181	22868	Thread Nipper Releasing Rod Spring (upper).....
175182	22868	Thread Nipper Releasing Rod Spring Collar with 465C.....
465C	22868	Thread Nipper Releasing Rod Spring Collar Set Screw.....
175183	22868	Thread Nipper Releasing Screw Stud.....
1722J	22868	" " " " " Nut..
175184	22868	" " " " " " Washer.....
175185	22867	Thread Nipper Releasing Stud.....
175161	22868	" " Thread Guide Pin.....
175186	22868	" Pull-off (back).....

No.	Plate	Name
175187	22868	Thread Pull-off (back) Holder with 160C and 1120C.....
160C	22868	Thread Pull-off (back) Holder Set Screw.
1120C	22868	" " " Set Screw.....
175188	22868	" " (front).....
175189	22868	" " " Holder with 1120C and 175190.....
175190	22868	Thread Pull-off (front) Holder Stop Pin.
1120C	22868	" " " Set Screw.....
175191	22868	" " Stop Collar with 160C and 175192.....
160C	22868	Thread Pull-off Stop Collar Set Screw...
175192	22868	" " " " Stop Pin....
175167	22868	" " Thread Eyelet.....
*15404	-----	Trade Mark.....
15405	-----	" " Rivet.....

SINGER Needles should be used
in SINGER Machines.
These Needles and their Containers
are marked with the
Company's Trade Mark "SIMANCO.***" 1

Needles in Containers marked
"FOR SINGER MACHINES"
are NOT **SINGER** made needles. 2

MACHINE No. 175-35

For Sewing Buttons on Men's and Boy's Clothing. Work Shirts, Pants, Overalls, Sweaters, etc. For medium and large two and four hole flat buttons. In four hole buttons makes two parallel bars with one diagonal cross-over stitch; in two hole buttons makes the dubbilstay stitch, spreading the stitches in the fabric same as in a four hole button. Makes eighteen stitches, including cross-over and knotting stitches. Clamp moves up the bed only when sewing four hole buttons. Speed 1000 R. P. M.

THIS MACHINE IS THE SAME AS THE NO. 175-31 MACHINE,
WITH THE FOLLOWING EXCEPTIONS:

No.	Plate	Name
175340	22872	Arm Rock Shaft with 175007, in place of 175004.....
175298	22869	Button Clamp (left) 175021 with 228J, 140021C, 175026 and 175299, in place of 175022.....
175299	22869	Button Clamp (left) Spring Reinforcing Spring.....
175300	22869	Button Clamp (right) 175027 with 228J, 140021C, 175030 and 175299, in place of 175028.....
175299	22869	Button Clamp (right) Spring Reinforcing Spring.....
175303	22869	Button Clamp Closing Spring, in place of 175040.....
175302	22869	Button Clamp Spreader and Button Stop, in place of 175056.....
175736	-----	Button Clamp Spreader and Button Stop 175302 with 175058 and two 1472J, in place of 175734.....
175304	-----	Button Clamp complete, Nos. 51688J, 140265W, 175057, 175298, 175300, 175303, 175736 and two 140020C, in place of 175059.....
175613	22869	Button Clamp 175304 with 680W, 175031, 175033, two 140024C and three 175032, for 20 to 45 ligne buttons, in place of 175611.....
175306	22872	Feed Cam, in place of 175067.....
175307	22871	" " Driving Worm, in place of 175068.....
175308	22872	Feed Cam Driving Worm Wheel with 175229 and two 140026C, in place of 175070.

No.	Plate	Name
175604	-----	Feed Cam Driving Worm Wheel Shaft 175071 with 175119 and 175309, in place of 175600.....
175305	22869	Feed Plate, in place of 175072.....
175348	22870	Needle Bar Connecting Link, in place of 175098.....
175349	22870	Needle Bar Connecting Stud (lower) in place of 175102.....
175309	22872	Needle Bar Vibrating Cam with 175185, in place of 175118.....
175597	-----	Pulley Shaft 175142 with 175069, 175105, 175143, 175144, 175150, 175307 and two 175119, in place of 175596.....

SINGER Needles should be used
in SINGER Machines.
These Needles and their Containers
are marked with the
Company's Trade Mark "SIMANCO." 1

Needles in Containers marked
"FOR SINGER MACHINES"
are NOT **SINGER** made needles. 2

No.	Plate	Name
175351	22878	Thread Retainer Lever.....
175352	22878	" " " Holder with 160E..
160E	22878	" " " " Clamping Screw.....
191J	22878	Thread Retainer Lever Screw.....
175353	-----	Thread Retainer complete, Nos. 191J, 337J, 175351, 175352, 175354 and two 238J.
175354	22878	Thread Retaining Spring.....
337J	22878	" " " Adjusting Screw.
238J	22878	" " " Screw.....

SINGER Needles should be used
in SINGER Machines.
These Needles and their Containers
are marked with the
Company's Trade Mark "SIMANCO."**" 1

Needles in Containers marked
"FOR SINGER MACHINES"
are NOT **SINGER** made needles. 2

MACHINE No. 175-39

For Extra Heavy Sewing on Special Work, Coat and Apron Trade, Barbers' Coats, Navel Uniforms, etc. For two and four hole flat buttons. In four hole buttons makes two parallel bars with one diagonal cross-over stitch. Makes twenty-two stitches, including cross-over and knotting stitches. Clamp moves up the bed only when sewing four hole buttons. Speed 1000 R. P. M.

THIS MACHINE IS THE SAME AS THE NO. 175-31 MACHINE,
WITH THE FOLLOWING EXCEPTIONS:

No.	Plate	Name
175340	22879	Arm Rock Shaft with 175007, in place of 175001.....
175298	22869	Button Clamp (left) 175021 with 228J, 140021C, 175026 and 175299, in place of 175022.....
175299	22869	Button Clamp (left) Spring Reinforcing Spring.....
175300	22869	Button Clamp (right) 175027 with 228J, 140021C, 175030 and 175299, in place of 175028.....
175299	22869	Button Clamp (right) Spring Reinforcing Spring.....
175303	22869	Button Clamp Closing Spring, in place of 175040.....
175302	22869	Button Clamp Spreader and Button Stop, in place of 175056.....
175736	-----	Button Clamp Spreader and Button Stop 175302 with 175058 and two 1472J, in place of 175734.....
175304	-----	Button Clamp complete, Nos. 51688J, 140265W, 175057, 175298, 175300, 175303, 175736 and two 14002CC, in place of 175059.....
175613	22869	Button Clamp 175304 with 680W, 175031, 175033, two 140024C and three 175032, for 20 to 45 ligne buttons, in place of 175611.....
175345	22879	Feed Cam, in place of 175067.....
175346	22876	" " Driving Worm, in place of 175068.....
175359	22879	Feed Cam Driving Worm Wheel with 175229 and two 140026C, in place of 175070.

No.	Plate	Name
175606	-----	Feed Cam Driving Worm Wheel Shaft 175071 with 175119 and 175360, in place of 175600.....
175305	22869	Feed Plate for 175613, in place of 175072.....
175348	22870	Needle Bar Connecting Link, in place of 175098.....
175349	22870	Needle Bar Connecting Stud (lower) in place of 175102.....
175360	22879	Needle Bar Vibrating Cam with 175514, in place of 175118.....
175598	-----	Pulley Shaft 175142 with 175069, 175105, 175143, 175144, 175150, 175346 and two 175119, in place of 175596.....
175534	22880	Thread Nipper Releasing Screw Stud, in place of 175183.....
175514	22879	Thread Nipper Releasing Stud, in place of 175185.....

SINGER Needles should be used in SINGER Machines. These Needles and their Containers are marked with the Company's Trade Mark "SIMANCO.**" 1

Needles in Containers marked "FOR SINGER MACHINES" are NOT **SINGER** made needles. 2

MACHINE No. 175-48

For Sewing Buttons on Sack Coats, Top Coats and Overcoats where it is desired to have the button raised from the material. For medium and large four hole buttons, sewing away from the fabric in preparation for shanking or necking. Makes twenty-two stitches, sewing the buttons on with two groups of eleven stitches without cross-over stitch; in two operations without removing the work from the clamp. Clamp moves up the bed only when changing from one group of stitches to the other. Speed 1000 R. P. M.

THIS MACHINE IS THE SAME AS THE NO. 175-31 MACHINE, WITH THE FOLLOWING EXCEPTIONS:

No.	Plate	Name
175340	22883	Arm Rock Shaft with 175007, in place of 175004.....
*175426	-----	Bed, in place of 175386.....
175427	22873	" Top Cover (back) with two 175019, in place of 175018.....
175410	22882	Bed Top Cover (front) in place of 175020
175298	22881	Button Clamp (left) 175021 with 228J, 140021C, 175026 and 175299, in place of 175022.....
175299	22881	Button Clamp (left) Spring Reinforcing Spring.....
175300	22881	Button Clamp (right) 175027 with 228J, 140021C, 175030 and 175299, in place of 175028.....
175299	22881	Button Clamp (right) Spring Reinforcing Spring.....
175575	22881	Button Clamp Arm, in place of 175033....
175303	22881	" " Closing Spring, in place of 175040.....
175401	22881	Button Clamp Leveling Foot (single) high foot.....
175411	22881	Button Clamp Leveling Foot (double) high foot.....
Note: When ordering Nos. 175401 and 175411, specify step required.		
140067J	22881	Button Clamp Leveling Foot Position Screw.....
140066W	22881	Button Clamp Leveling Foot Thumb Screw..
175342	22878	" " Lifting and Thread Pull-off Holder Shaft, in place of 175043....
175302	22881	Button Clamp Spreader and Button Stop, in place of 175056.....

For the library of Diamond Needle Corp

No.	Plate	Name
175736	-----	Button Clamp Spreader and Button Stop 175302 with 175058 and two 1472J, in place of 175734.....
175429	22881	Button Clamp Spreader and Button Stop Base with two 1498C, in place of 175057.....
175430	-----	Button Clamp complete, Nos. 51688J, 140067J, 140068W, 140265W, 175298, 175300, 175303, 175429, 175736 and two each 140020C, 175401 and 175411, in place of 175059.....
Note: Nos. 175401 and 175411 are furnished in 1/8 in. and 11/32 in. steps unless otherwise speci- fied on order.		
175616	22881	Button Clamp 175430 with 680W, 175031, 175575, two 140024C and three 175032, for 20 to 45 ligne buttons, in place of 175611.....
175343	22882	Face Plate, in place of 175771.....
175344	22882	" " 175343 with 185J, 175062, 175063, 175065, 175066 and 202098, in place of 175772.....
175345	22883	Feed Cam, in place of 175067.....
175346	22876	" " Driving Worm, in place of 175068.....
175347	22883	Feed Cam Driving Worm Wheel with two each 140026C and 175229, in place of 175070.....
175624	-----	Feed Cam Driving Worm Wheel Shaft 175071 with 175119 and 175533, in place of 175600.....
175577	22881	Feed Plate for 175432.....
175432	22881	" " 175577 with 1620J, 140069W, 175416, 175417, 175578 and two each 50090J, 140072C and 175032, for 14 to 45 ligne flat buttons when a 18 ligne stay button is used, in place of 175072.....
175434	22873	Feed Plate Carrier Guide Block (right) in place of 175076.....
51671C	22873	Feed Plate Carrier Regulating Nut, in place of 51667C.....
175592	22873	Feed Plate Carrier Regulating Nut Screw Stud, in place of 175548.....
175578	22881	Feed Plate Hinge Bracket.....
175436	22881	" " Latch with 185J.....
185J	22881	" " " Adjusting Screw.....
140071C	22881	" " " Hinge Screw.....
175437	22881	" " " Spring.....
51659J	22881	" " Pressure Regulating Thumb Nut

No.	Plate	Name
175438	22881	Feed Plate Pressure Regulating Thumb Nut Screw Stud.....
175439	22881	Feed Plate Pressure Spring.....
175184	22881	" " " " Washer.....
140072C	22881	" " Screw, in place of 227J.....
175032	22881	" " " Washer.....
175417	22881	" " Stay Button Holder (18 ligne stay button) for 175432.....
140069W	22881	Feed Plate Stay Button Holder Hinge Screw.....
1620J	22881	Feed Plate Stay Button Holder Hinge Screw Nut.....
140070J	22882	Feed Plate Stay Button Holder Position Screw.....
175416	22881	Feed Plate Work Support.....
50090J	22881	" " " " Screw.....
175348	22882	Needle Bar Connecting Link, in place of 175098.....
175349	22882	Needle Bar Connecting Stud (lower) in place of 175102.....
175533	22883	Needle Bar Vibrating Cam with two 175514, in place of 175118.....
175598	-----	Pulley Shaft 175142 with 175069, 175105, 175143, 175144, 175150, 175346 and two 175119, in place of 175596.....
175534	22878	Thread Nipper Releasing Screw Stud, in place of 175183.....
175514	22883	Thread Nipper Releasing Stud, in place of 175185.....
175351	22878	Thread Retainer Lever.....
175352	22878	" " " Holder with 160E..
160E	22878	" " " " Clamping Screw.....
191J	22878	Thread Retainer Lever Screw.....
175353	-----	Thread Retainer complete, Nos. 191J, 337J, 175351, 175352, 175354 and two 238J.....
175354	22878	Thread Retaining Spring.....
337J	22878	" " " Adjusting Screw.
238J	22878	" " " Screw.....

ACCESSORIES

No.	Plate	Name
175193	22884	Button Tray with three 175194.....
175194	22884	" " Hinge Screw Stud.....
160C	22892	" " " " " Set Screw for Machine Base.....
175195	22884	Hand Wheel with two 1448C, for turning machine by hand.....
1448C	22884	Hand Wheel Set Screw.....
120342	22884	Oiler (copper plated) with 120343.....
120343	22884	" Spout, 3 1/2 in. long.....
26026	22884	Screw Driver.....
175197	22884	Wrench for 140026.....
175198	22884	" " 140027.....
175625	22884	" " 51671 and 140024.....

BELT AND PULLEY GUARD

(HINGED)

No.	Plate	Name
175537	22885	Belt and Pulley Guard.....
175538	22885	" " " " Fill-in Piece (metal) with two wood screws 3/4 in. No. 10 R.H., for Trough Power Tables
175539	22885	Belt and Pulley Guard Fill-in Piece (wood) with four wood screws 1 1/2 in. No. 12 F.H. for Flat Power Tables.....
175540	22885	Belt and Pulley Guard complete, for Individual Motor Table, for 175544, Nos. 42830, 175537, 175543 and two wood screws 1 in. No. 14 F.H.....
175541	22885	Belt and Pulley Guard Hinge Pin.....
175542	22885	" " " " " Bracket.
175543	-----	" " " " " " "
		175542 with 175541.....
42830	22885	Belt and Pulley Guard Hinge Pin Cotter Pin.....
175544	22885	Belt and Pulley Guard with Fill-in Pieces complete, Nos. 175538 to 175540.....

BUTTON CLAMP No. 175752

FOR 10 TO 24 LIGNE BUTTONS

FOR NO. 175-31 MACHINE

No.	Plate	Name
175418	22886	Button Clamp (left) with 175622.....
175419	22886	" " " 175418 with 230J, 140021C and 175420.....
140020C	22886	Button Clamp (left) Hinge Screw.....
1498C	22886	" " " " " Lock Screw
140021C	22886	" " " Screw Stud.....
175420	22386	" " " Spring.....
230J	22886	" " " " Screw.....
175622	22886	" " " " Steady Pin...
175516	22886	" " (right) with 175622.....
175517	22886	" " " 175516 with 230J, 140021C and 175518.....
140020C	22886	Button Clamp (right) Hinge Screw.....
1498C	22886	" " " " " Lock Screw
140021C	22886	" " " Screw Stud.....
175518	22886	" " " Spring.....
230J	22886	" " " " Screw.....
175622	22886	" " " " Steady Pin..
175031	22886	" " Adjusting Lever.....
680W	22886	" " " " Thumb Screw
175032	22886	" " " " " "
		Washer.....
175033	22886	Button Clamp Arm.....
175040	22886	" " Closing Spring.....
175056	22886	" " Spreader and Button Stop...
175755	-----	" " " " " " "
		175056 with 175573 and two 1472J....
175057	22886	Button Clamp Spreader and Button Stop Base with two 1498C.....
140024C	22886	Button Clamp Spreader and Button Stop Base Screw.....
175032	22886	Button Clamp Spreader and Button Stop Base Screw Washer.....
140265W	22886	Button Clamp Spreader and Button Stop Screw.....
51688J	22886	Button Clamp Spreader and Button Stop Screw Nut.....
175573	22986	Button Clamp Spreader Handle.....
1472J	22886	" " " " " Screw.....
175397	-----	Button Clamp complete for 175752, Nos. 51688J, 140265W, 175040, 175057, 175419, 175517, 175755 and two 140020C
175752	22886	Button Clamp 175397 with 680W, 175031, 175033, two 140024C and three 175032

BUTTON CLAMP No. 175738

FOR 40 TO 80 LIGNE TWO OR FOUR HOLE
FLAT BUTTONS

FOR NOS. 175-31, 175-35 AND 175-39 MACHINES

No.	Plate	Name
175719	22887	Button Clamp (left) with 175622.....
175720	22887	" " " 175719 with 228J, 140021C and 175571.....
140020C	22887	Button Clamp (left) Hinge Screw.....
1498C	22887	" " " " " Lock Screw
140021C	22887	" " " " Screw Stud.....
175571	22887	" " " " Spring.....
228J	22887	" " " " Screw.....
175622	22887	" " " " Steady Pin..
175722	22887	" " (right) with 175622.....
175723	22887	" " " 175722 with 228J, 140021C and 175572.....
140020C	22887	Button Clamp (right) Hinge Screw.....
1498C	22887	" " " " " Lock Screw.....
140021C	22887	Button Clamp (right) Screw Stud.....
175572	22887	" " " " Spring.....
228J	22887	" " " " Screw.....
175622	22887	" " " " Steady Pin..
175031	22887	" " " " Adjusting Lever.....
680W	22887	" " " " " Thumb Screw
175032	22887	" " " " " " " Washer.....
175033	22887	Button Clamp Arm.....
175303	22887	" " " Closing Spring.....
175747	22887	" " " " " " " Spreader and Button Stop..
175748	-----	" " " " " " " " " 175747 with 175573 and two 1472J....
175057	22887	Button Clamp Spreader and Button Stop Base with two 1498C.....
140024C	22887	Button Clamp Spreader and Button Stop Base Screw.....
175032	22887	Button Clamp Spreader and Button Stop Base Screw Washer.....
140265W	22887	Button Clamp Spreader and Button Stop Screw.....
51688J	22887	Button Clamp Spreader and Button Stop Screw Nut.....
175573	22887	Button Clamp Spreader Handle.....
1472J	22887	" " " " " Screw.....
175724	-----	Button Clamp complete for 175738, Nos. 51688J,140265W,175057,175303,175720, 175723, 175748 and two 140020C.....
175738	22887	Button Clamp 175724 with 680W, 175031, 175033, two 140024C and three 175032, for 40 to 80 ligne buttons.....

BUTTON CLAMP No. 175761

FOR 40 TO 55 LIGNE TWO OR FOUR HOLE
FLAT BUTTONS

FOR NO. 175-48 MACHINE

THIS BUTTON CLAMP IS THE SAME AS NO. 175738,

WITH THE FOLLOWING EXCEPTIONS:

No.	Plate	Name
175575	22888	Button Clamp Arm, in place of 175033....
175764	22888	" " " " Leveling Foot (double)....
175786	22888	" " " " " (single)....

Note: When ordering Nos. 175764 and 175786, specify
step required.

140067J	22888	Button Clamp Leveling Foot Position Screw.....
140068W	22888	Button Clamp Leveling Foot Thumb Screw..
175429	22888	" " " " Spreader and Button Stop Base with two 1498C, in place of 175057..
175760	-----	Button Clamp complete, for 175761, Nos. 51688J, 140067J, 140068W, 140265W, 175303,175429,175720,175723,175748 and two each 140020C,175764 and 175786, in place of 175724.....

Note: Nos. 175764 and 175786 are furnished in 9/32
in. and 11/32 in. steps unless otherwise speci-
fied on order.

175761	22888	Button Clamp 175760 with 680W, 175031, 175575,two 140024C and three 175032, in place of 175738.....
--------	-------	---

BUTTON CLAMP No. 175619

FOR 40 TO 80 LIGNE TWO OR FOUR HOLE
FLAT BUTTONS

FOR NO. 175-37 MACHINE

THIS BUTTON CLAMP IS THE SAME AS NO. 175738,

WITH THE FOLLOWING EXCEPTIONS:

No.	Plate	Name
175575	22889	Button Clamp Arm, in place of 175033....
175429	22889	" " " " Spreader and Button Stop Base with two 1498C, in place of 175057..
175742	-----	Button Clamp complete for 175619, Nos. 51688J,140265W,175303,175429,175720, 175723,175748 and two 140020C, in place of 175724.....
175619	22889	Button Clamp 175742 with 680W, 175031, 175575,two 140024C and three 175032, for 40 to 80 ligne buttons, in place of 175738.....

From the library of: armolite@ictp

BUTTON CLAMP No. 175654

FOR 80 TO 120 LIGNE BUTTONS

No.	Plate	Name
175637	22890	Button Clamp (left) with 175622.....
175638	22890	" " " 175637 with 230J, 140153C and 175639.....
140152C	22890	Button Clamp (left) Hinge Screw.....
51676J	22890	" " " " " Nut.....
175653	22890	" " " " " Spacing Collar.....
140153C	22890	Button Clamp (left) Screw Stud.....
175639	22890	" " " Spring.....
230J	22890	" " " " Screw.....
175622	22890	" " " " Steady Pin....
175640	22890	" " (right) with 175622.....
175641	22890	" " " 175640 with 230J, 140153C and 175642.....
140152C	22890	Button Clamp (right) Hinge Screw.....
51676J	22890	" " " " " Nut....
175653	22890	" " " " " Spacing Collar.....
140153C	22890	Button Clamp (right) Screw Stud.....
175642	22890	" " " Spring.....
230J	22890	" " " " Screw.....
175622	22890	" " " " Steady Pin..
175644	22890	" " Adjusting Slide.....
14015LJ	22890	" " " " Guide Screw
51675J	22890	" " " " " "
		Lock Nut.....
1656J	22890	Button Clamp Adjusting Slide Thumb Nut..
175643	22890	" " Arm.....
175363	22890	" " " Hinge Bracket.....
140072K	22890	" " " Screw.....
175032	22890	" " " " Washer.....
175647	22890	" " Lifting Chain Bracket with two 190K.....
175648	22890	Button Clamp Lifting Chain Bracket Hold- er.....
190K	22890	Button Clamp Lifting Chain Bracket Set Screw.....
190K	22890	Button Clamp Lifting Chain Screw (lower)
175646	22890	" " Opening Handle.....
223J	22890	" " " " Screw.....
175649	22890	" " Spreader and Button Stop with two 175622.....
175622	22890	Button Clamp Spreader and Button Stop Slide Pin.....

No.	Plate	Name
140154W	22890	Button Clamp Spreader and Button Stop Slide Screw.....
175650	22890	Button Clamp Spreader and Button Stop Spring.....
175651	22890	Button Clamp Spreader and Button Stop Spring Guide Screw Stud.....
175652	22890	Button Clamp Spreader and Button Stop Spring Guide Screw Stud Holder.....
1521J	22890	Button Clamp Spreader and Button Stop Spring Guide Screw Stud Holder Nut..
175654	22890	Button Clamp complete for 80 to 120 ligne buttons, Nos. 1521J, 1656J, 51675J, 140151J, 175363, 175638, 175641, 175643, 175644, 175646 to 175652 and two each 223J, 51676J, 140072K, 140152C, 140154W, 175032 and 175653.....

FEED PLATES

No.	Plate	Name
175574	22887	Feed Plate for 175738, for 175-31, 175-35 and 175-39 Machines.....
175655	22890	Feed Plate for 175654.....

FEED PLATE

FOR NO. 175-37 MACHINE

No.	Plate	Name
175620	22889	Feed Plate for 175619.....

FEED PLATES

FOR NO. 175-48 MACHINE

No.	Plate	Name
175577	22891	Feed Plate.....
175565	22891	" " 175577 with 1620J, 140069W, 175416, 175568, 175578 and two each 50090J, 140072C and 175032, for 14 to 45 ligne flat buttons when a 19 ligne stay button is used.....

From the library of: Diamond Needle Co.

No.	Plate	Name
175566	22891	Feed Plate 175577 with 1620J, 140069W, 175416, 175569, 175578 and two each 50090J, 140072C and 175032, for 14 to 45 ligne flat buttons when a 20 ligne stay button is used.....
175567	22891	Feed Plate 175577 with 1620J, 140069W, 175416, 175570, 175578 and two each 50090J, 140072C and 175032, for 14 to 45 ligne flat buttons when a 22 ligne stay button is used.....
175762	-----	Feed Plate.....
175766	-----	" " 175762 with 1620J, 140069W, 175416, 175417, 175578 and two each 50090J, 140072C and 175032, for 45 to 80 ligne flat buttons when a 18 ligne stay button is used.....
175767	-----	Feed Plate 175762 with 1620J, 140069W, 175416, 175569, 175578 and two each 50090J, 140072C and 175032, for 45 to 80 ligne flat buttons when a 20 ligne stay button is used.....
175768	-----	Feed Plate 175762 with 1620J, 140069W, 175416, 175570, 175578 and two each 50090J, 140072C and 175032, for 45 to 80 ligne flat buttons when a 22 ligne stay button is used.....
175578	22891	Feed Plate Hinge Bracket.....
140072C	22891	" " Screw.....
175032	22891	" " Washer.....
175417	22881	" " Stay Button Holder (18 ligne stay button) for 175766.....
175568	22891	Feed Plate Stay Button Holder (19 ligne stay button) for 175565.....
175569	22891	Feed Plate Stay Button Holder (20 ligne stay button) for 175566 and 175767..
175570	22891	Feed Plate Stay Button Holder (22 ligne stay button) for 175567 and 175768..
140069W	22891	Feed Plate Stay Button Holder Hinge Screw.....
1620J	22891	Feed Plate Stay Button Holder Hinge Screw Nut.....
175416	22891	Feed Plate Work Support.....
50090J	22891	" " " " Screw.....

MACHINE BASE

No.	Plate	Name
175829	22892	Machine Base with 160C.....
175830	22892	Machine Base complete, Nos. 141C, 933F, 1637J, 140047C, 175425, 175829, 175831, 175832 and four wood screws 7/8 in. No. 14 R.H.....
140047C	22892	Machine Locating Screw Stud.....
175115	22892	" Lock Plate with 175202 and 175206.....
175202	22892	Machine Lock Plate Position Stud.....
51656J	22892	" " Thumb Nut.....
175206	22892	" " " " Screw Stud.....
175207	22892	" " " " Spring.....
175536	22892	" " " " Washer.....
175425	-----	Machine Lock complete, Nos. 51656J, 175115, 175207 and 175536.....
175831	22892	Machine Starting Lever.....
933F	22892	" " " Hinge Screw.....
175832	22892	" " " Spring.....
141C	22892	" " " Stop Screw.....
1637J	22892	" " " " " Nut...

STARTING LEVER AND FOOT
LIFTER PARTS

No.	Plate	Name
175215	22892	Foot Lifter Chain, 37 in. long, with two 56865.....
56865	22892	Foot Lifter Chain Hook.....
175216	22892	" " Treadle.....
175217	22892	" " " Hinge Pin.....
175218	22892	" " " Stand.....
175219	22892	Foot Lifter Treadle complete, Nos. 175216 to 175218 and two wood screws 1 in. No. 14 F.H.....
175215	22892	Starting Lever Chain, 37 in. long, with two 56865.....
56865	22892	Starting Lever Chain Hook.....
175216	22892	" " Treadle.....
175217	22892	" " " Hinge Pin.....
175218	22892	" " " Stand.....
175219	22892	Starting Lever Treadle complete, Nos. 175216 to 175218 and two wood screws 1 in. No. 14 F.H.....

TABLE BELT GUIDE

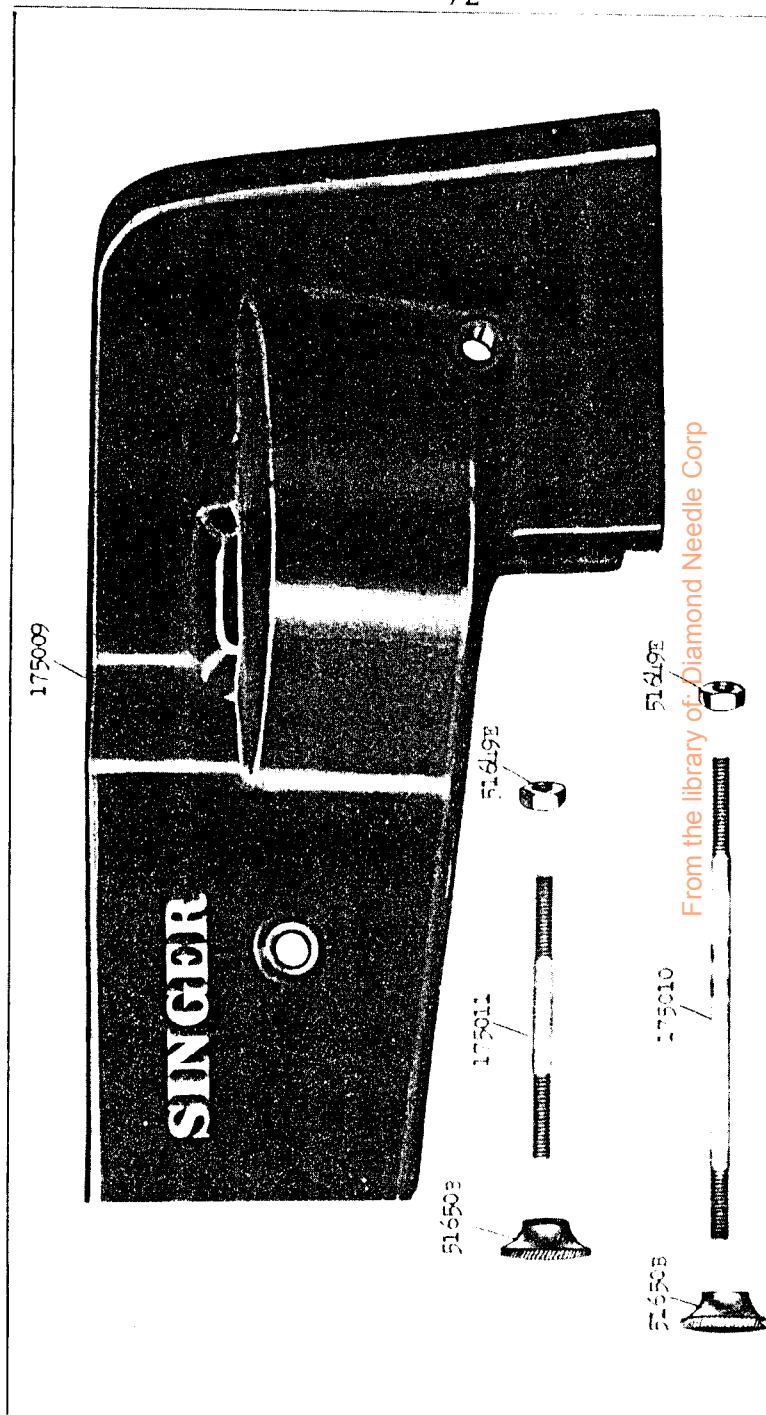
No.	Plate	Name
175220	22885	Belt Guide (left) with 140035C.....
175221	22885	" " (right) with 140035C.....
140035C	22885	" " Set Screw.....
175222	22885	Pulley.....
175223	22885	" Shaft.....
175224	-----	" " 175223 with 1259E and 175227
175225	22885	" " Bracket with 444C.....
1259E	22885	" " Oil Plug Screw.....
175227	22885	" " " Wick.....
444C	22885	" " Set Screw.....
175228	22885	Table Belt Guide complete, Nos. 175220, 175221, 175224, 175225 and two each 175222 and wood screws 7/8 in. No. 14 R.H.....

THREAD UNWINDER

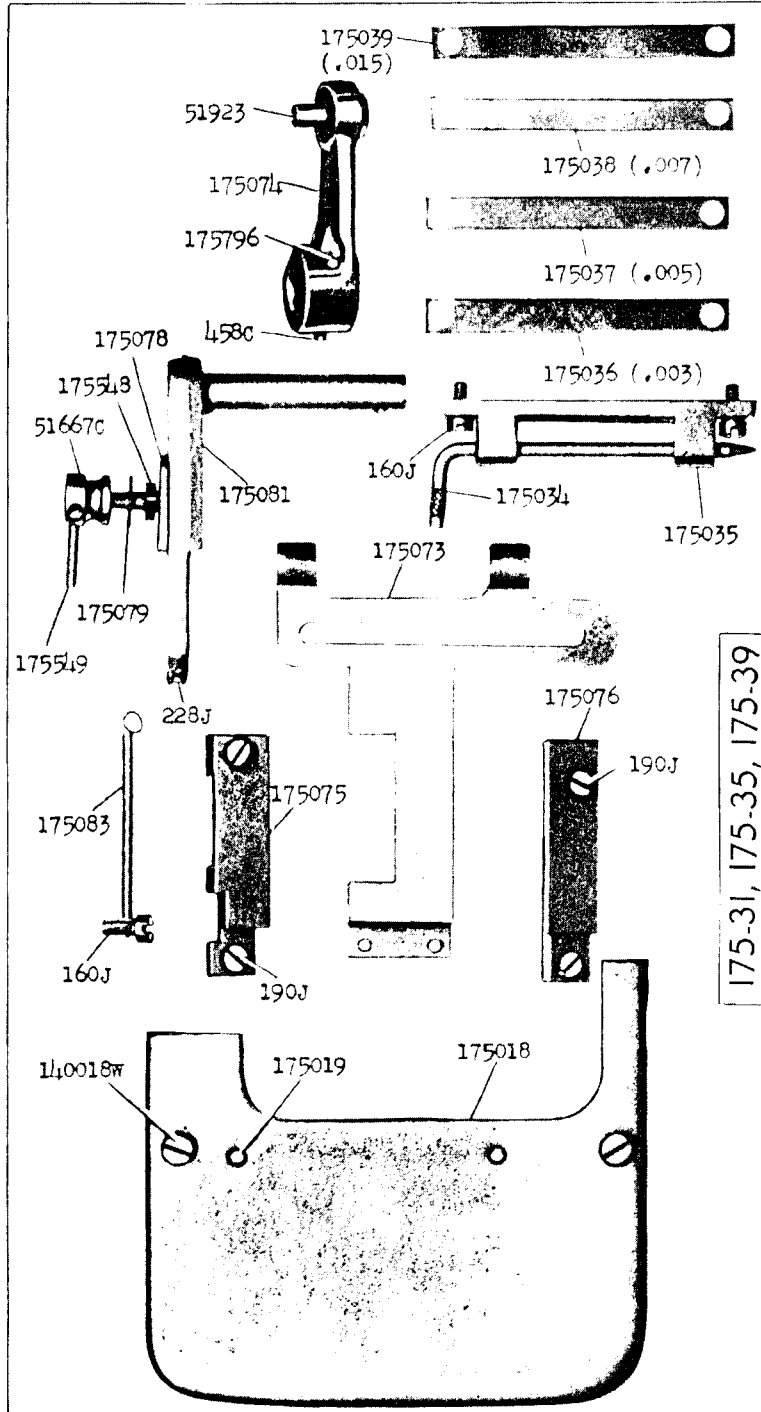
FOR ONE SPOOL OR ONE LARGE CONE OF THREAD

No.	Plate	Name
225259	22893	Spool Rest with 201018C.....
150203	22893	" " Cushion (felt).....
225388	22893	" " Rod.....
200383C	22893	" " " Set Screw.....
201018C	22893	" " Set Screw.....
202490	22893	" Stand with 200383C.....
225391	22893	Thread Guide.....
201696J	22893	" " Lock Nut.....
225326	22893	" " Position Cup.....
225324	22893	" " Rod with 208E and 225322...
208E	22893	" " " Screw.....
225322	22893	" " " Washer.....
225260	22893	Thread Unwinder complete, Nos. 150203, 201696J, 202490, 225259, 225324, 225326, 225388, 225391 and three wood screws 7/8 in. No. 12 F.H.....
27739	22893	Thread Cone (wood) for large cones.....
225390	22893	" " Holder for inverted cones...

Note: Nos. 27739 and 225390 are used with, but not included in 225260.

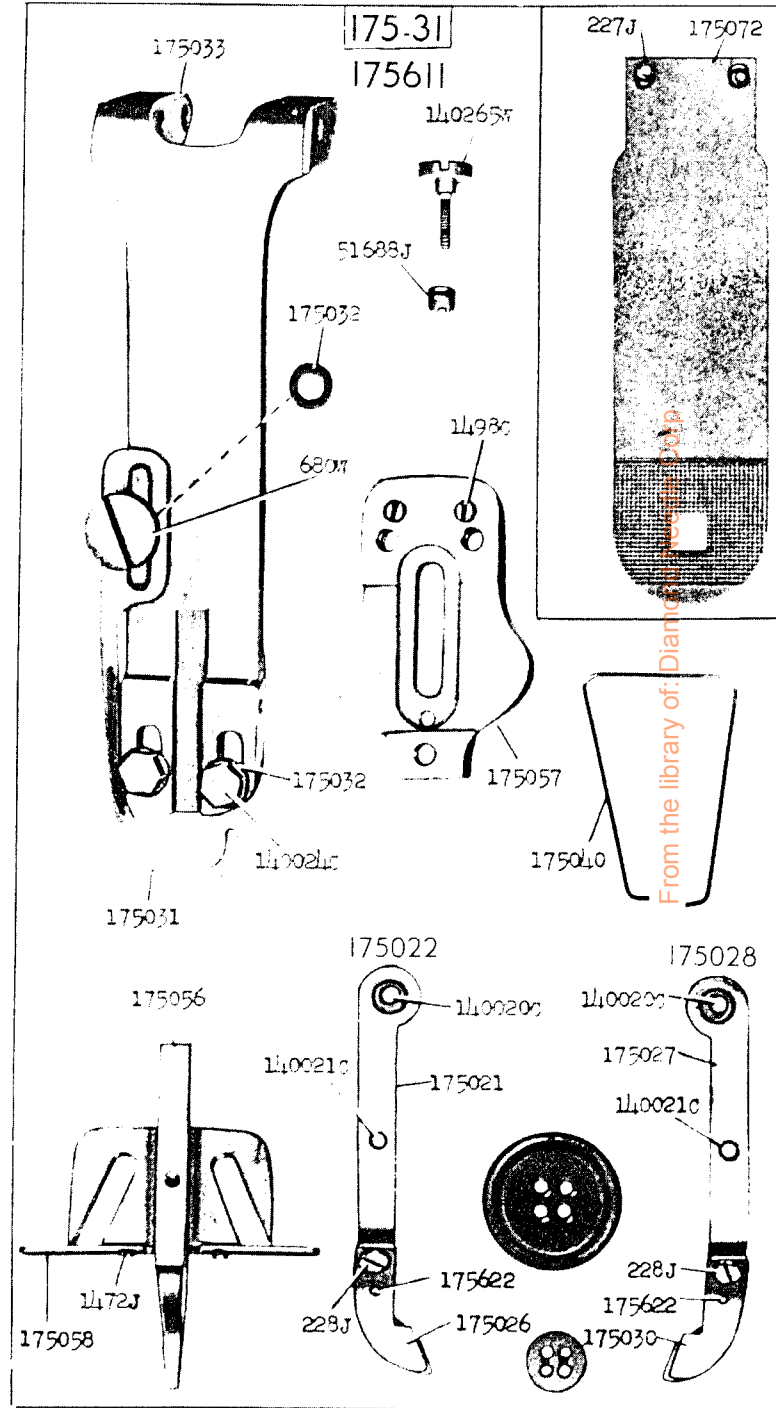


22863 - 1/2



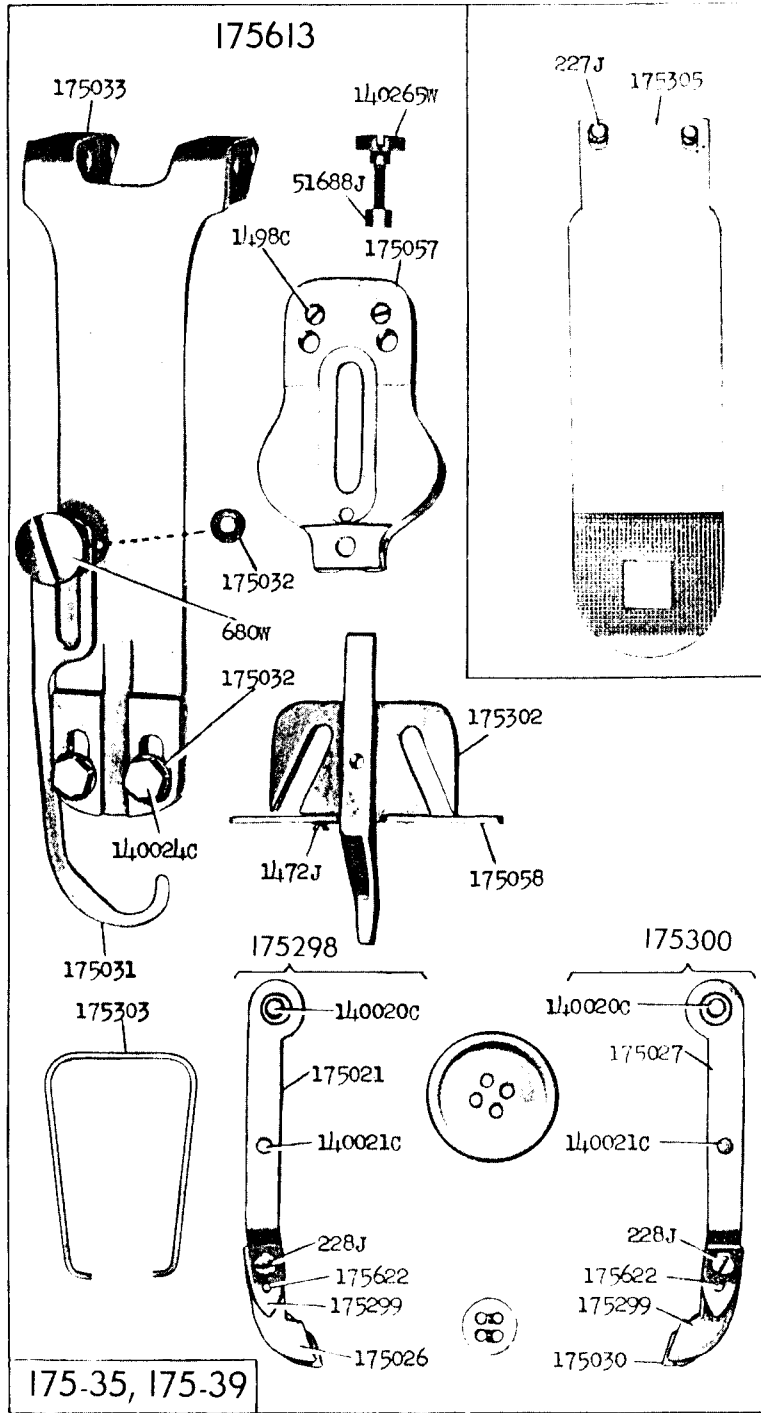
175-31, 175-35, 175-39

22864 - 2/3



From the library of Dian...

22869 - 2/3



22870 - 1/2

